



(19) **United States**

(12) **Patent Application Publication** (10) **Pub. No.: US 2003/0230898 A1**

**Jamieson et al.**

(43) **Pub. Date: Dec. 18, 2003**

(54) **VARIABLE DIAMETER ROTOR**

**Publication Classification**

(76) Inventors: **Peter McKeich Jamieson**, Glasgow (GB); **Chris Hornzee-Jones**, Brighton (GB); **Emilian M. Moroz**, Tehachapi, CA (US); **Ralph W. Blakemore**, Tehachapi, CA (US)

(51) **Int. Cl.<sup>7</sup>** ..... **F03D 9/00; H02P 9/04**  
(52) **U.S. Cl.** ..... **290/55**

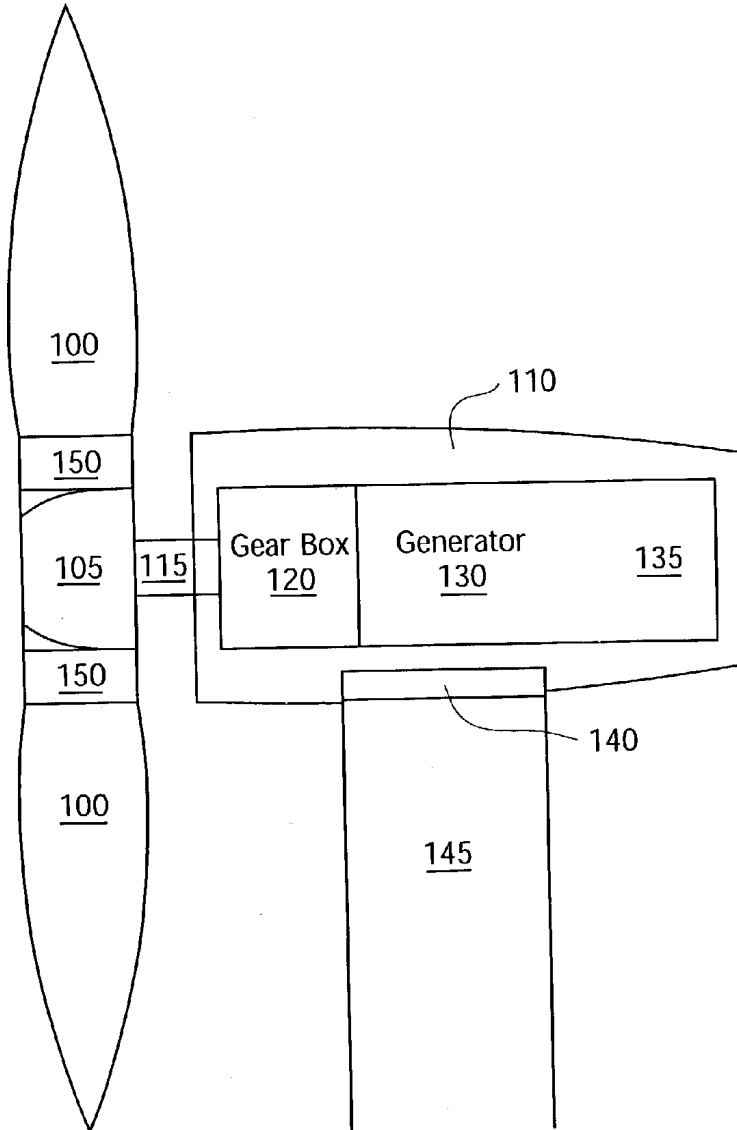
(57) **ABSTRACT**

Correspondence Address:  
**Michael J. Mallie**  
**BLAKELY, SOKOLOFF, TAYLOR & ZAFMAN LLP**  
**Seventh Floor**  
**12400 Wilshire Boulevard**  
**Los Angeles, CA 90025-1026 (US)**

A system and method for changing wind turbine rotor diameters to meet changing wind speeds and control system loads is disclosed. The rotor blades on the wind turbine are able to adjust length by extensions nested within or containing the base blade. The blades can have more than one extension in a variety of configurations. A cable winching system, a hydraulic system, a pneumatic system, inflatable or elastic extensions, and a spring-loaded jack knife deployment are some of the methods of adjustment. The extension is also protected from lightning by a grounding system.

(21) Appl. No.: **10/157,337**

(22) Filed: **May 28, 2002**



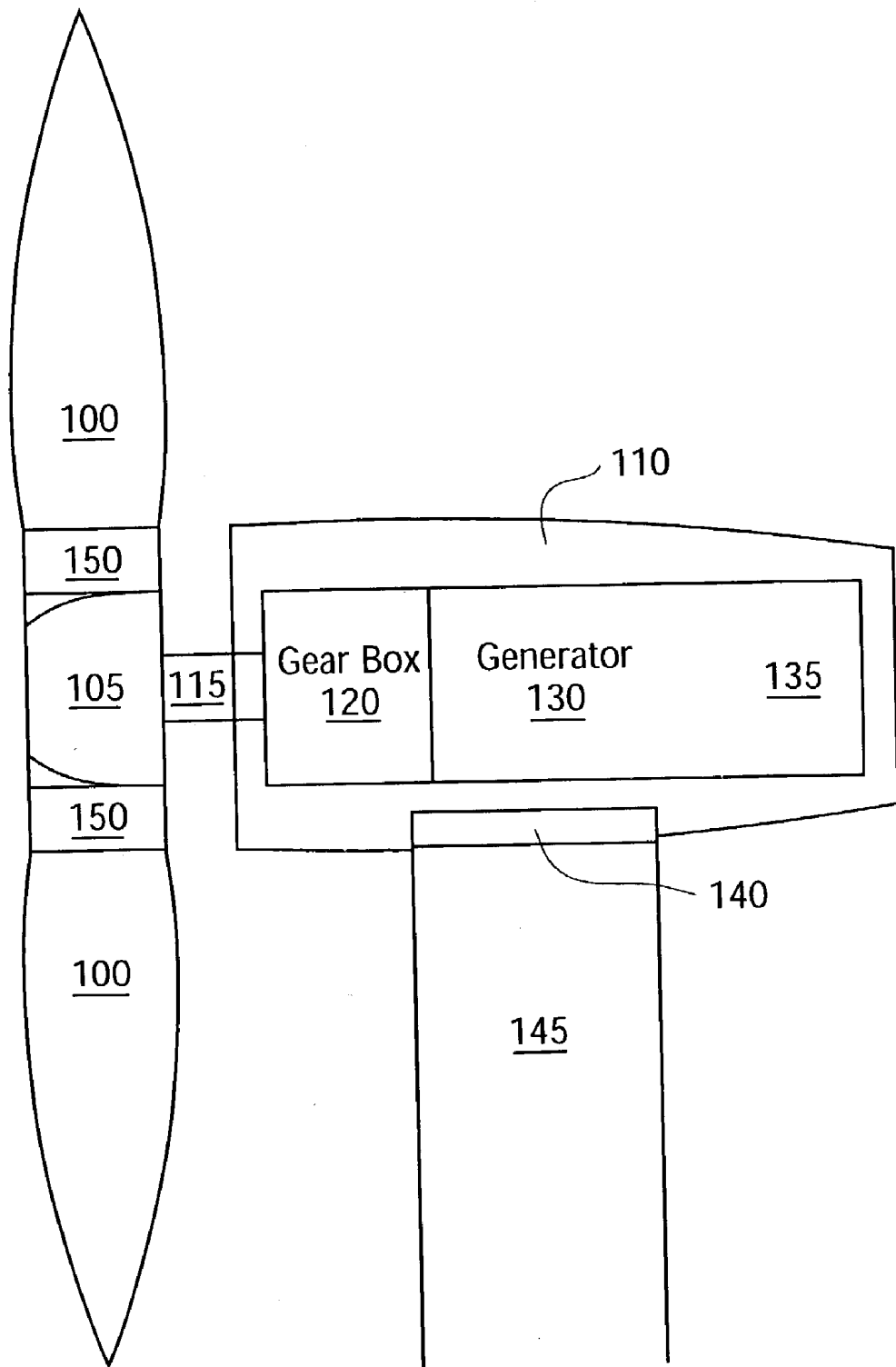


FIG. 1

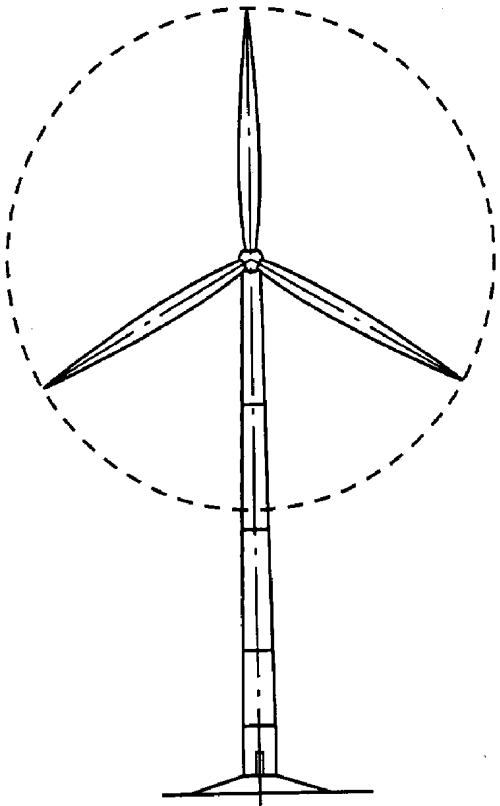


FIG. 2A

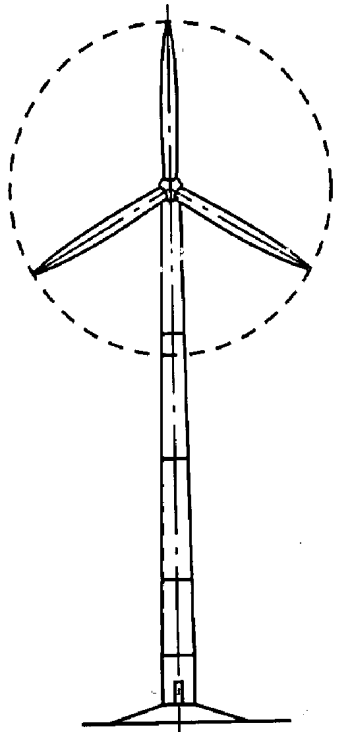


FIG. 2B

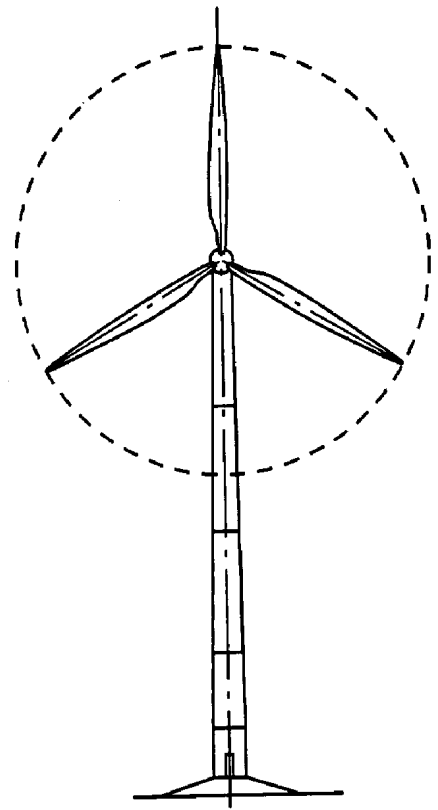


FIG. 2C

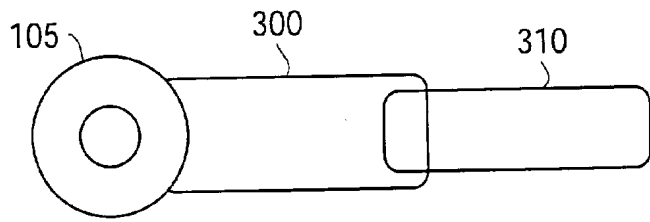


FIG. 3a

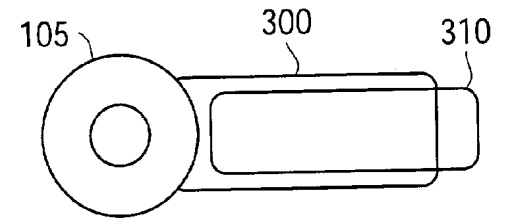


FIG. 3b

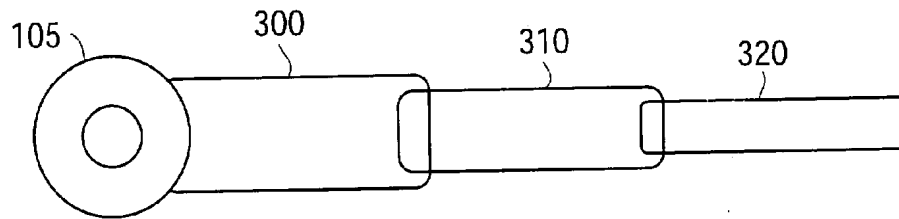


FIG. 3c

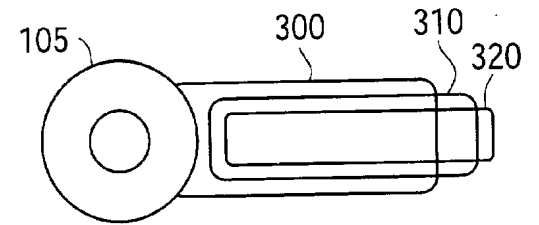


FIG. 3d

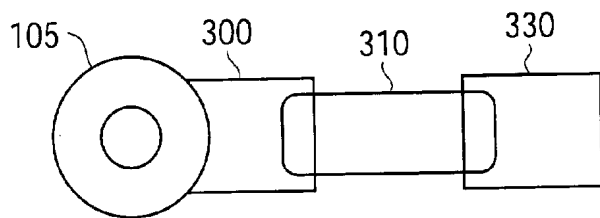


FIG. 3e

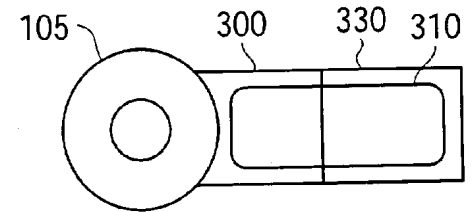


FIG. 3f

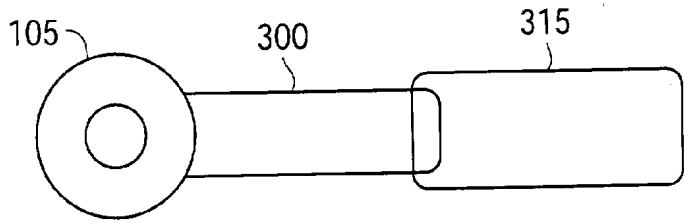


FIG. 3g

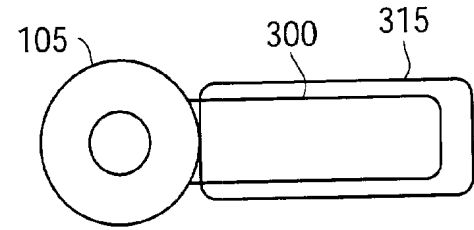


FIG. 3h

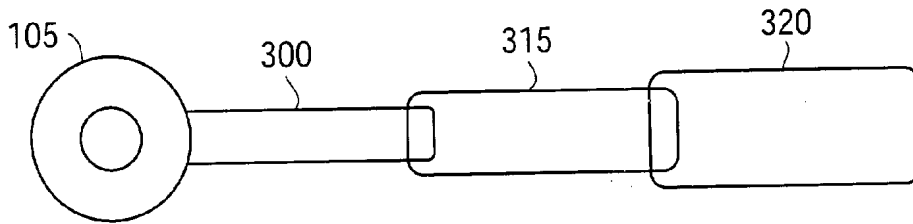


FIG. 3i

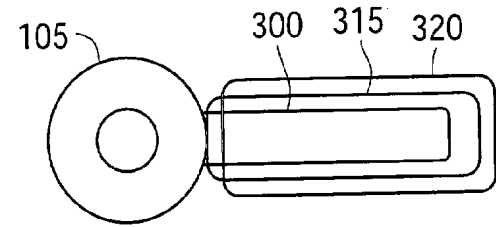


FIG. 3j

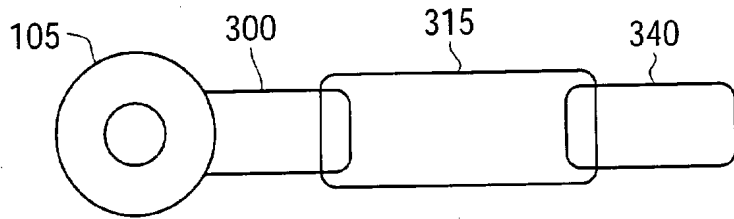


FIG. 3k

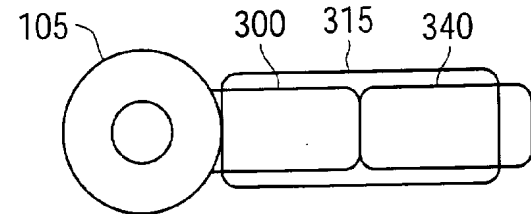


FIG. 3l

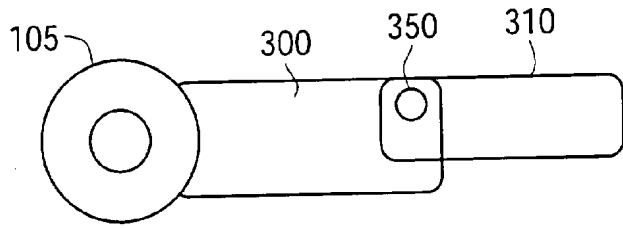


FIG. 3m

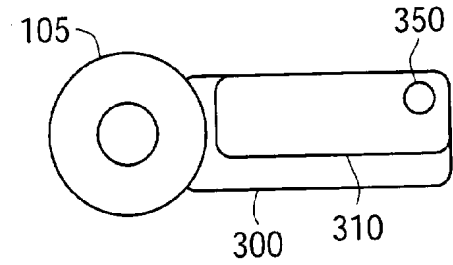


FIG. 3n

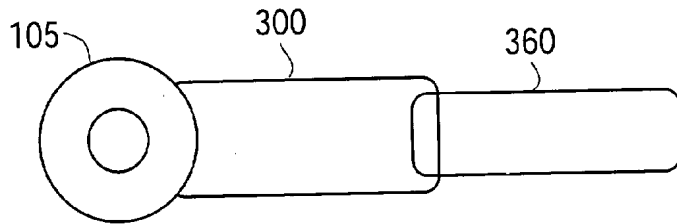


FIG. 3o

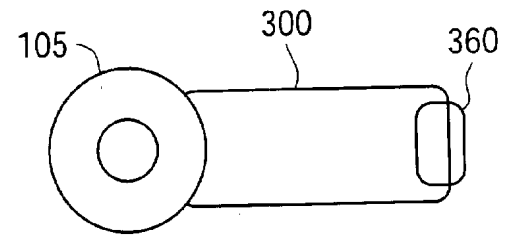


FIG. 3p

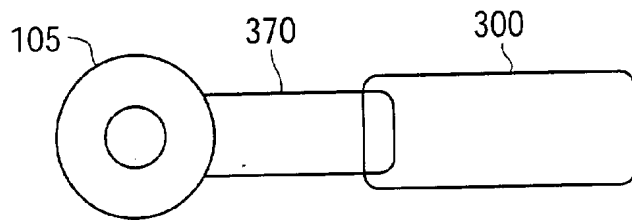


FIG. 3q

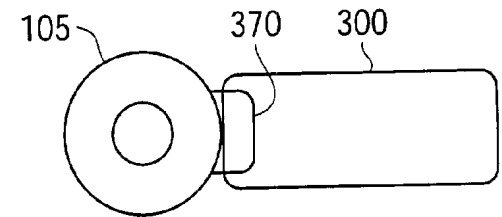
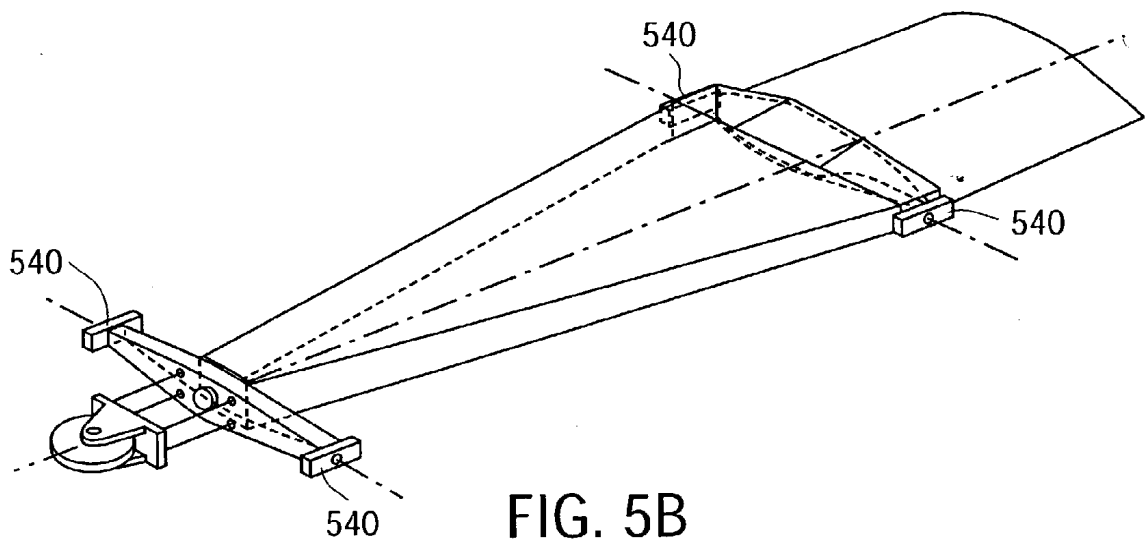
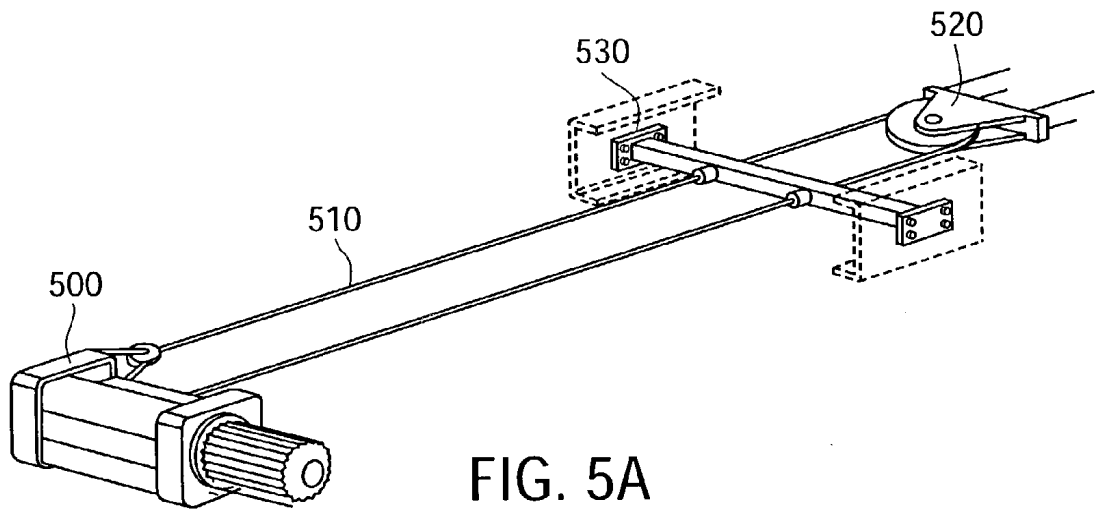
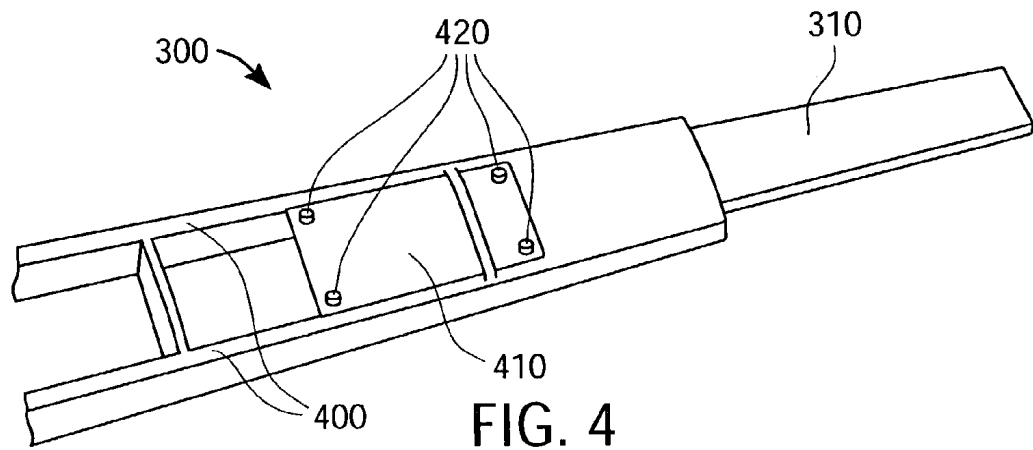


FIG. 3r



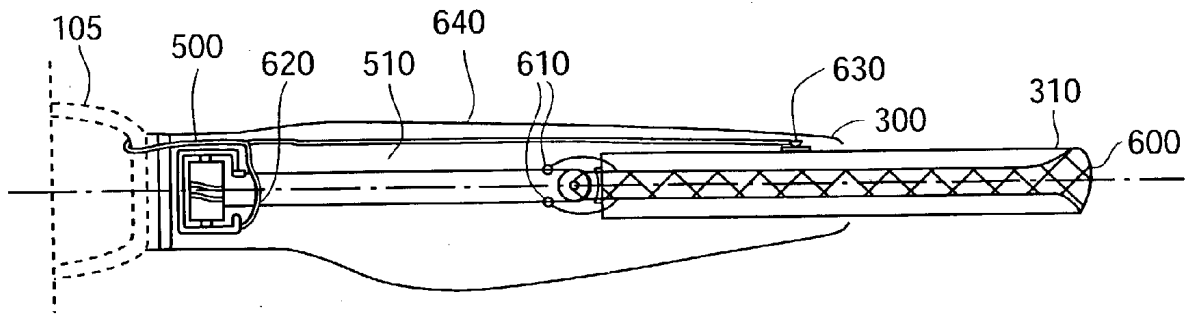


FIG. 6A

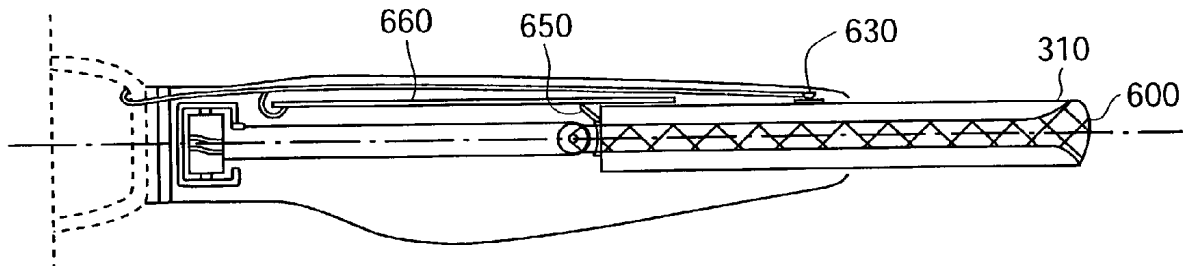


FIG. 6B



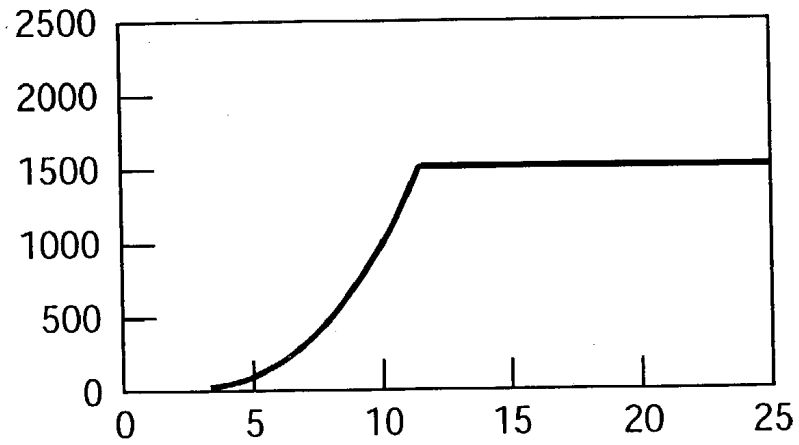


FIG. 7A

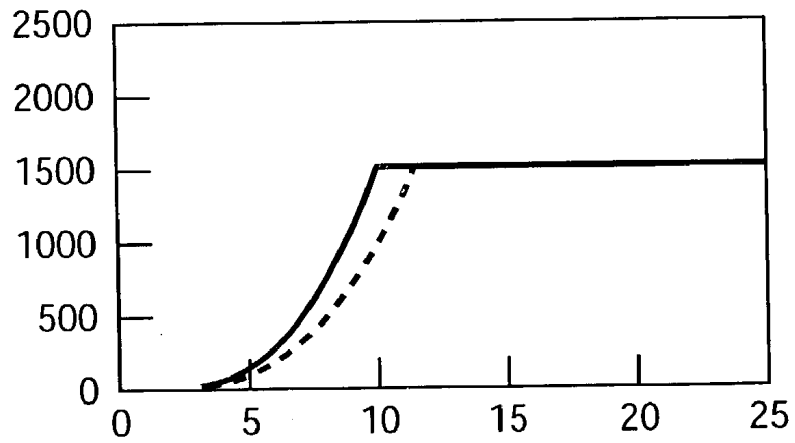


FIG. 7B

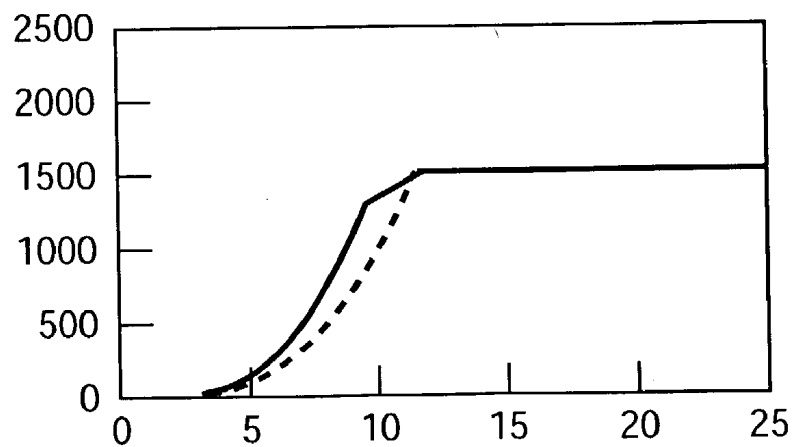


FIG. 7C

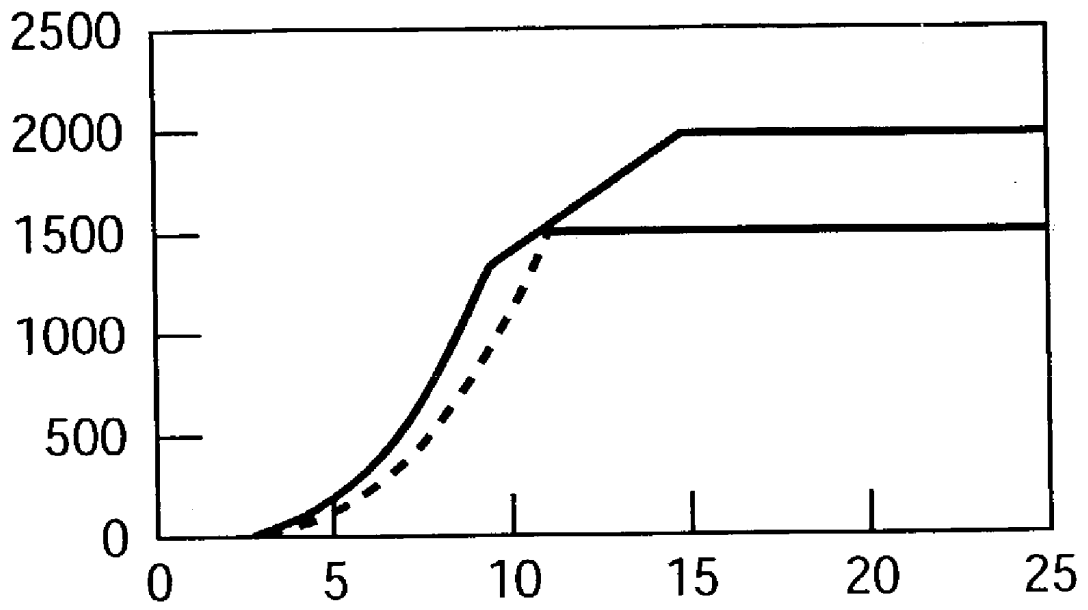


FIG. 7D

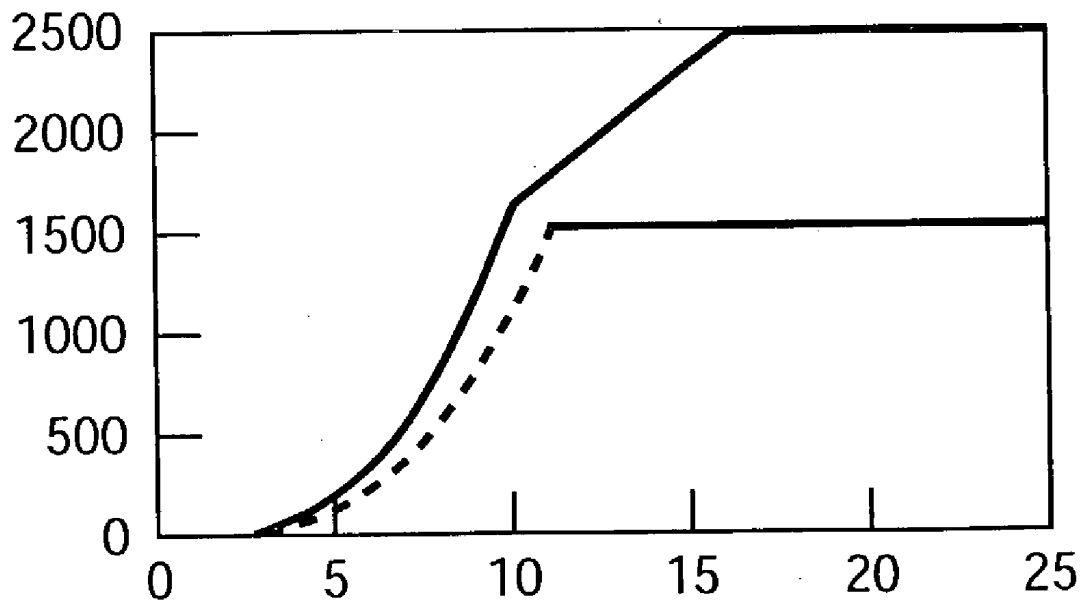


FIG. 7E

## VARIABLE DIAMETER ROTOR

### FIELD OF THE INVENTION

[0001] The field of the invention relates to wind turbines. More specifically, the invention relates to the use of a variable diameter rotor for wind turbines.

### BACKGROUND OF THE INVENTION

[0002] Wind power is one of the cleanest and most environmentally friendly methods of producing electrical energy currently available. Wind power can produce major amounts of electrical energy without the production of carbon dioxide and other greenhouse gases. Additionally, wind power is renewable, as opposed to traditional fossil fuel sources of energy.

[0003] Modern wind turbines are placed on towers to take advantage of strong winds found higher up in the atmosphere, above the clutter of buildings and trees. Traditionally, rotors are attached by a hub to a low speed shaft leading into a nacelle. Inside the nacelle, a gearbox takes the high torque and low speed of the low speed shaft and converts it to the low torque and high speed of the high-speed shaft. The high-speed shaft drives a generator to produce electrical energy.

[0004] The amount of electrical energy generated is based in part on the size of the rotors used by the wind turbine and its relationship to the size of electrical generator. A general rule is that wind energy is proportional to the square of the diameter of the rotor. A second factor that contributes to the amount of electrical energy is the speed of the winds acting upon the rotor. If a large rotor relative to the size of the generator is suddenly acted upon by high winds, it can produce more electricity than the generator can absorb and additionally over stress the structure. Conversely, in a time of low winds, if the rotor is not large enough for the generator, the wind turbine efficiency may be low and the structure will see only a small proportion of its load carrying potential. What is needed is a wind turbine that can adjust to handle varying wind speed conditions in an efficient manner, while attempting to maximize energy capture for a given support structure.

### SUMMARY OF THE INVENTION

[0005] A system and method for adjusting the diameter of a rotor in a wind turbine is described. In one embodiment, a wind turbine rotor is described that comprises a center hub, a first set of aerofoil rotor blades arranged around the center hub, and a first set of aerofoil rotor blade extensions nested inside the first set of aerofoil rotor blades. The first set of extensions are capable of extending an amount less than or equal to the length of the first set of blades by protracting from the first set of blades.

### BRIEF DESCRIPTION OF THE DRAWINGS

[0006] The present invention is illustrated by way of example and not limitation in the figures of the accompanying drawings, in which

[0007] **FIG. 1** illustrates a standard wind turbine power generating system.

[0008] **FIGS. 2a-2c** illustrates one embodiment of a wind turbine with adjustable rotor blades that can extend to operate at various diameters.

[0009] **FIG. 3** illustrates different methods of varying the length a rotor blade and consequently the diameter of the rotor blades.

[0010] **FIG. 4** illustrates one embodiment of a blade and sliding extension.

[0011] **FIG. 5a** illustrates one embodiment of a winch pulley extension system.

[0012] **FIG. 5b** illustrates one embodiment of an extender slide system.

[0013] **FIG. 6** illustrates different grounding mechanisms for blade extensions.

[0014] **FIGS. 7a-7e** illustrate exemplary power curves.

### DETAILED DESCRIPTION

[0015] A variable diameter rotor for a wind turbine generator is disclosed. In the following detailed description, numerous specific details are set forth in order to provide a thorough understanding of the present invention. However, it will be apparent to one of ordinary skill in the art that these specific details need not be used to practice the present invention. Well-known structures, materials, circuits, processes and interfaces have not been shown or described in detail in order not to unnecessarily obscure the present invention.

[0016] The variable diameter rotor includes base blades and one or more blade extensions associated with the base blades. The blade extensions move between positions that range from fully extended to fully retracted. In embodiments where blades have more than one blade extension, the blade extensions for a blade may be independent from each other in that various blade extensions for a blade may be more extended or retracted than the other blade extensions for that blade.

[0017] In one embodiment, the extension and retraction of rotor blades to increase or decrease rotor diameter, respectively, is based on wind conditions and blade pitch angle. For example, in low winds, the rotor may be fully extended. As the winds increase in speed, the blades may start to pitch and a portion of the rotor blades may be retracted. In high winds, the rotor blades may be fully retracted. Thus, the diameter of the rotor may be increased to increase energy capture in frequently occurring moderate wind speeds (e.g., below rated wind speed) where most of the energy is available. At the same time, the rotor diameter may be reduced in high winds that would cause loads that would otherwise penalize a rotor of relatively large diameter.

[0018] **FIG. 1** illustrates one embodiment of a wind turbine. Referring to **FIG. 1**, rotor blades **100** are coupled to rotor hub **105**. Rotor blades **100** and rotor hub **105** form the wind turbine rotor, which is a variable diameter rotor with one or more blade extensions.

[0019] In one embodiment, rotor blades **100** include aerofoils that nest telescopically within blade sections of greater dimension also using aerofoils, thereby preserving greater rotor efficiency. That is, the rotor blades comprise sections that have the ability to nest a narrow, constant chord or tapered aerofoil section inside a wide airfoil section.

[0020] Hub **105** is attached to a nacelle **110** by the shaft **115**. The rotation of shaft **115** is coupled to a gearbox **120**.

[0021] An electrical control system 135 monitors the conditions of the wind turbine, making appropriate adjustments as necessary. The electronic control system 135 controls a yaw mechanism 140, which controls the direction of the turbine upon tower 145. In addition to yaw control, the electronic control system 135 also controls the pitch mechanism 150, which control the pitch angle of the rotor blades 100, the rotational speed of the shaft 115 and the extension of the rotor blades 100.

[0022] In one embodiment, the diameter of the rotor is adjusted by extending or retracting the blade extensions. In one embodiment, the extension or retraction of blade extensions is performed based on wind speed. The change of rotor diameter compensates for differences in wind speed and turbulence, with a goal being to convert as much wind energy to electrical energy as possible in an efficient manner, while keeping loads within prescribed levels.

[0023] FIGS. 2a-c illustrate the variable diameter rotor in three positions: fully extended, fully retracted, and a position between fully extended and fully retracted. FIG. 2a shows the rotor with rotor blades fully extended. This position may be helpful in capturing energy from low velocity winds. FIG. 2b shows the rotor with the rotor blade extensions fully retracted. This position may be used when the wind turbine is capturing energy from high velocity winds and trying to avoid accumulating excessive fatigue loads and large extreme loads. FIG. 2c shows the rotor with rotor blade extensions only partially extended. This position may be useful for moderate wind conditions. The blade extensions can be extended based on the wind speed measured from an anemometer or by the power produced by the generator.

[0024] In one embodiment, the variable diameter rotor may operate with a larger diameter and higher rating than a baseline fixed diameter turbine and the load is regulated using the pitch system. In one embodiment, a torque factor greater than a conventional baseline turbine (e.g., 1.5 times baseline torque) is used whenever the rotor diameter is at its maximum and a minimum pitch angle (e.g., 1°) is used for maximum energy capture. Whenever the blade extensions are not fully extended or whenever a command to retract is received, the minimum pitch angle is immediately set to another predetermined value (e.g., 8°) greater than that used when the rotor diameter is at its maximum. This helps to reduce, and potentially minimize, loads on the system.

[0025] There are a number of different techniques for adjusting the rotor diameter. A number of such techniques are shown in FIGS. 3a-3r. FIG. 3a shows a base blade 300 with a blade extension 310, in which the base blade 300 is attached to the central hub 105. FIG. 3b shows the same base blade 300 with the extension 310 fully retracted. Blade extension 310 is nested in base blade 300, and is capable of being extended or retracted along a track or other guidance mechanism. In one embodiment, the base blade comprises a glass/epoxy blade, and the blade extension may be carbon epoxy. Alternatively, other lightweight compounds may be used.

[0026] FIG. 3c shows an embodiment in which a second blade extension 320 is added to blade extension 310, with all blade extensions being fully extended. FIG. 3d shows the same double extension rotor blade having its blade extensions 310 and 320 being fully retracted (blade extension 320 nested within blade extension 310 and blade extension 310

being nested in base blade 300). Blade extension 320 is extended or retracted along a guidance mechanism, possibly similar to the one used to guide blade extension 310.

[0027] FIG. 3e shows an embodiment in which the blade is split into a base blade 300, a first blade extension 310 and a secondary blade extension 330. FIG. 3f shows the same blade arrangement with the blade extensions 310 and 330 retracted, such that blade extension 310 is nested partially in the base blade 300 and partly in the secondary blade 330.

[0028] FIG. 3g shows an alternate embodiment in which blade extension 315, rather than the base blade 300, is the wider of the two blades. FIG. 3h shows the same design where blade extension is retracted. FIG. 3i shows an embodiment where the rotor blade includes three sections. FIG. 3j shows the blade in a fully retracted position.

[0029] FIG. 3k shows base blade 300 attached to the center hub 105 being narrower than blade extension 315. A second blade extension 340 is attached to the opposite end of blade extension 315 from base blade 300. FIG. 3l shows both extensions retracted. In one embodiment, both the base blade 300 and extension 340 fit completely within blade extension 315 when fully retracted. In an alternative embodiment, each extension partially fits within blade extension 315.

[0030] FIG. 3m shows an alternate method of deployment for blade extension 310 from the base blade 300. A hinge 350 connects the extension 310 to base blade 300 at the end opposite of hub 105. Blade extension 310 jackknives open in any one of a number of directions. FIG. 3n shows blade extension 310 in a closed, or "retracted" position. In one embodiment, blade extension 310 is spring-loaded for moving in the extended position. In an alternate embodiment, inertial force and friction blocks are used. A cable winch may be used to retract the blades during high winds. Alternatively the blade extension is spring loaded in the retracted position and cable, screw jacks, linkages and/or pistons may be used to extend blade extension 310.

[0031] FIG. 3o shows an embodiment in which blade extension 360 is inflatable or otherwise elastic. FIG. 3p shows blade extension 360 when deflated or otherwise deformed to minimum size. FIG. 3q illustrates an embodiment where inflatable or elastic blade extension 370 is between hub 105 and base blade 300. FIG. 3r shows this extension 370 deflated or deformed to minimum size. In one embodiment, the inflatable extension partially inflates or elastically grows depending on wind speed, pitch angle and other control factors.

[0032] Note that FIGS. 3a-3r only illustrate the rotor blades only in fully extended or fully retracted positions. However, in operation, the blade extensions may only be partially extended or retracted at times depending, in part, on wind conditions. To that extent, the blade extensions and base blades move relative to each other.

[0033] One embodiment of the slider track used to guide a blade extension between extended and fully retracted positions is illustrated in FIG. 4. Blade extension 310 is guided by one or more bearing tracks 400 in the interior of the base blade 300. This movement may be facilitated by the use of slider bearings. An extender root block 410 is attached to the end of blade extension 310 closest to the base blade 300. Bearing pads 420 are arranged around the extender root

block **410** to facilitate movement on the bearing track **400**. Two support spars straddling blade extension **310** replace internal center support spars that would be normally used to support the base blade. In one embodiment, the slider bearing may comprise glass-filled PTFE flat sheet material. In an alternate embodiment, anti-friction rolling element, hydrodynamic or hydrostatic bearings are used in place of the slider bearings.

[0034] In one additional embodiment, friction guide blocks may be used on the blade extensions **310** or friction pads at the ends of the base blades **300** to prevent slippage of blade extension **310**. A set of replaceable seal strips (not shown) between the base blade **300** and blade extension **310** prevent wind, snow, and other debris from obstructing the rotor blade retracting or extending.

[0035] There are a number of options for a bearing track material and some exemplary materials are as follows:

[0036] a) glass/epoxy structural laminate within a directional surface laminate and no gel coat;

[0037] b) phenolic laminate (e.g., Tufnol) facings, which is non-corroding and will act as a failsafe bearing should the PTFE pad become excessively worn; and

[0038] c) stainless steel facings, which works well with PTFE, is durable and relatively inexpensive.

[0039] Additional bearings within the tip of the base blade may be used to limit any undesirable motion of the extending portion of the blade relative to the base blade. Note that the base blade structure may have to be reinforced to handle the load associated with the sliding blade extension and the slider track.

[0040] In one embodiment, a cable winch, as shown in FIG. 5a, is used for extending and retracting the extensions **310**. A cable winch **500** is inserted into the blade base. The cable **510** (e.g., steel wire rope, braided non-metallic rope) is run through a pulley **520** attached to the end of the extender root block **410**. Fixed guides are included for cable **510**. A moving cross bar **530** supports the cable when the extender is fully extended. Cross bar **530** fastens between the base blade shear webs to offer support and separation of the cable when the blade extension is deployed. The blade extension is extended using mechanical or inertial force. To keep the extension in place, friction pads may be used. In one embodiment, the winch is sized for the maximum load required to winch against the forces composed of the inertial forces and aerodynamic load at normal operational speeds and guide bearing friction. In one embodiment, the winch is anchored into the base blade on a fabricated frame.

[0041] In another embodiment, a cable system may be used in conjunction with one or more pulleys to cause the blade extension to extend as a cable is pulled towards the rotor hub. Furthermore, additional methods of extending and retracting the extension include, for example, but not limited to, a recirculating ball worm screw, a jacking screw, a pneumatic retraction and extension system, and a hydraulic retraction and extension system.

[0042] FIG. 5b illustrates one embodiment of an extender slide system showing the root end of a blade extension. This may operate in conjunction with the cable winch system of FIG. 5a. Referring to FIG. 5b, the extender slide system

includes pads **540** that help self-aligning holders carried on the blade extension. The mounting arrangements for the bearing pads permits self-aligning action both longitudinally and transversely.

[0043] In one embodiment, the blade extensions can be grounded to protect against strikes by lightning, as shown in FIG. 6. FIG. 6a shows a spark gaps model of lightning protection. A conductive mesh **600** is laminated into the skin of the extension **310**. The mesh on the extension **310** is connected to the steel wire pulley cable **510** by spark gaps **610**. A second group of spark gaps **620** are placed at the cable winch **500** end of the cable **510** to provide an electrical connection to the hub casting **105**. The base blade **300** is protected by a standard tip stud **630** and bonding conductor **640** through to the hub casting **105**. In an alternate embodiment, the blade extension also has a tip stud and bonding conductor.

[0044] FIG. 6b shows an alternate embodiment of the grounding device for the extension. The blade extension **310** uses a conductive mesh **600** or tip stud and bonding conductor. Instead of the spark gaps, a sliding contact **650** is attached to the root base of the blade extension. The sliding contact **650** is in constant contact with either a conductive bus bar, a conductive bearing track **660**, or some other device to allow connectivity with the hub.

[0045] Exemplary Power Curves

[0046] FIGS. 7a-7e show exemplary power curves. FIG. 7a is the normal power curve of a conventional baseline wind turbine with fixed diameter rotor. FIG. 7b illustrates a power curve that results from an increase in diameter for a turbine with one embodiment of a variable diameter rotor taking the variable diameter rotor up a steeper cubic curve in wind speeds below rated and achieving rated power in a lower wind speed. If the tip speed is the same as baseline at rated wind speed and the diameter is larger, the shaft speed must be less and the rated torque greater than baseline for the same power.

[0047] FIG. 7c is a power curve for a variable diameter rotor in which torque is not allowed to rise above baseline, a worthwhile restriction for a small energy loss. Referring to FIG. 7c, at the point of intersection of the curve with baseline, all the main parameters, torque, tip speed, power, wind speed are the same and so it follows that the variable diameter rotor will have contracted to the same diameter as the baseline.

[0048] In one embodiment, the variable diameter rotor is capable however of further diameter contraction and, at constant tip speed, some further increase in rotor speed. This allows more power to be generated, as shown in FIG. 7d, without any increase in gearbox torque. Although the extra energy from this strategy arises from operation in rather high, less frequent wind speeds, it still represents an economic gain as only the turbine electrical system cost increases to accommodate this increased power level operating mode. An important feature of the power curve of the variable diameter rotor is the ability to maintain a high almost constant rotor efficiency in the diameter changing regime due to automatic matching of tip speed ratio and rotor solidity.

[0049] As to a relation between torque rating of the drive train and diameters for optimum economics, the key lies in

the ability to regulate systems loads almost independent of torque up-rating. Results suggest that about a 30% up-rating in drive train torque (1.3 torque factor) is advantageous (at higher torque factors, the energy increases are diminished by the load regulation strategies). This leads to a power curve shown in **FIG. 7e**. The baseline is the curve with the x's on it.

**[0050]** Load Management

**[0051]** In contrast to conventional wind turbines, the variable diameter rotor may be operated with a relatively larger rotor diameter and higher power. Load regulation may be controlled using appropriate control of pitch system set points and diameter/speed variation. As torque factor increases, the rotor thrust increases. Even for small increases in torque factor, from 1 through 1.3 to 1.5 (at a 1° minimum pitch setting), the increase in rotor thrust may be substantial. To avoid an increase in rotor thrust when increases in torque factor are made, the minimum pitch angle may be increased. For example, the minimum pitch angle may be increased from a more normal 1° to 6° and 8° for torque factors of 1.3 and 1.5.

**[0052]** There is of course some energy penalty associated with increasing the minimum pitch angle. The energy yield increases almost linearly with torque factor in the absence of any load regulation. However, when the pitch setting is adjusted to regulate rotor thrust, the power curves converge at the higher torque factors. Up to a factor of approximately 1.3, there are substantial energy gains with each increment of torque factor, but thereafter little difference.

**[0053]** Although the present invention is described herein with reference to a specific preferred embodiment, many modifications and variations therein will readily occur to those with ordinary skill in the art. Accordingly, all such variations and modifications are included within the intended scope of the present invention as defined by the following claims.

What is claimed is:

1. A wind turbine, comprising a variable diameter rotor having:

a center hub;

a first set of aerofoil rotor blades arranged around the center hub; and

a first set of aerofoil rotor blade extensions nested at least partially inside the first set of aerofoil rotor blades, the first set of extensions capable of extending an amount less than or equal to the length of the first set of blades by protracting from the first set of blades.

2. The wind turbine of claim 1 wherein extending or retracting rotor blade extensions is controlled based on measured wind conditions.

3. The wind turbine of claim 1 wherein extending or retracting rotor blade extensions is controlled based on inferred wind conditions.

4. The wind turbine of claim 1 wherein extending or retracting rotor blade extensions is controlled based on blade pitch angle.

5. The wind turbine of claim 1 wherein extending or retracting rotor blade extensions is controlled based on power measurement.

6. The wind turbine of claim 1 wherein the blade extensions extend from a base in the rotor blade and move the blade extensions between positions that range from fully extended to fully retracted.

7. The wind turbine rotor of claim 1, wherein the first set of blades are attached to the center hub, with the first set of extensions protracting from an end of the first set of blades opposite the hub.

8. The wind turbine rotor of claim 7, further including a pitch bearing attaching the first set of blades to the center hub at a root of each blade in the set.

9. The wind turbine rotor of claim 7, further including a second set of aerofoil rotor blade extensions nested inside the first set of extensions, the second set of extensions to extend the length of the first set of extensions by protracting from the first set of extensions.

10. The wind turbine rotor of claim 7, further including a second set of aerofoil rotor blade extensions in which the first set of extensions is nested, the second set of extensions connected to the first set of blades by the first set of extensions so that, when the first set of extensions is retracted, the first set of extensions nest partially in the first set of blades and partially in the second set of extensions.

11. The wind turbine rotor of claim 10 further including a first set of seal strips between the second set of extensions and the first set of extensions.

12. The wind turbine rotor of claim 11 further including a second set of seal strips between the first set of extensions and the first set of blades.

13. The wind turbine rotor of claim 1, wherein more than one set of aerofoil rotor blade extensions extend from the first set of blades at an end opposite to the center hub, each set of extensions being nested in another set of extensions.

14. The wind turbine rotor of claim 1, wherein the first set of extensions are attached to the center hub, with the first set of extensions protracting from an end of the first set of blades closest to the center hub.

15. The wind turbine rotor of claim 14, further including a second set of aerofoil rotor blade extensions nested within the first set of blades at an end opposite the end that is attached to the first set of extensions, so that both sets of extensions, when completely retracted, are nested within the first set of blades.

16. The wind turbine rotor of claim 14, further including a second set of aerofoil rotor blade extensions nested within the first set of blades at an end opposite the end that is attached to the first set of extensions, so that both sets of extensions, when completely retracted, are partially nested within the first set of blades.

17. The wind turbine rotor of claim 1, wherein more than one set of aerofoil rotor blade extensions connect the first set of blades to the center hub, each set of extensions nested in a following set of extensions, the final set of extensions nested in the first set of blades.

18. The wind turbine rotor of claim 1, wherein the first set of extensions, when completely retracted, is completely nested within the first set of blades.

19. The wind turbine rotor of claim 1, wherein the first set of extensions, when completely retracted, is partially nested within the first set of blades.

20. The wind turbine rotor of claim 1, wherein the first set of extensions is made of a carbon compound.

21. The wind turbine rotor of claim 1, wherein the first set of extensions is made of a glass epoxy.

22. The wind turbine rotor of claim 1, further including a set of anti-friction bearings to support the first set of extensions.

23. The wind turbine rotor of claim 1, further including a set of slider bearings to support the first set of extensions.

24. The wind turbine rotor of claim 1, further including a set of friction pads to prevent the first set of extensions from retracting accidentally.

25. The wind turbine rotor of claim 1, wherein the first set of extensions expands and retracts based on wind speed.

26. The wind turbine rotor of claim 1, further including a set of sliding friction guide blocks to manage the movement of the first set of extensions within the first set of rotor blades.

27. The wind turbine rotor of claim 1, wherein the blades are each supported internally by spars.

28. The wind turbine rotor of claim 1, wherein the blades are each supported internally by independent tracks.

29. The wind turbine rotor of claim 1, further including a cable winding system to expand and retract the first set of extensions from within a housing in each of the first set of blades.

30. The wind turbine rotor of claim 29, wherein the first set of extensions expands due to inertial force.

31. The wind turbine rotor of claim 1, further including a pneumatic system to expand and retract the first set of extensions from within a housing in each of the first set of blades.

32. The wind turbine rotor of claim 1, further including a hydraulic system to expand and retract the first set of extensions from within a housing in each of the first set of blades.

33. The wind turbine rotor of claim 1, further including a recirculating ball worm screw system to expand and retract the first set of extensions from within a housing in each of the first set of blades.

34. The wind turbine rotor of claim 1, further including a cable and pulley system to expand and retract the first set of extensions from within a housing in each of the first set of blades.

35. The wind turbine rotor of claim 1, further including a set of seal strips between the first set of extensions and the first set of blades.

36. The wind turbine rotor of claim 35, wherein the seal strips are replaceable.

37. The wind turbine rotor of claim 1, wherein the first set of extensions is electrically grounded.

38. The wind turbine rotor of claim 37, wherein an electrically conductive mesh is laminated into or otherwise attached to the first set of extensions.

39. The wind turbine rotor of claim 37, further including a tip stud and a bonding conductor on the first set of extensions.

40. The wind turbine rotor of claim 37, further including a tip stud and a bonding conductor on the first set of blades.

41. The wind turbine rotor of claim 37, further including spark gaps connecting grounding on the first set of extensions to cables connecting the first set of extensions to the first set of blades.

42. The wind turbine rotor of claim 37, further including spark gaps connecting the cables to the center hub.

43. The wind turbine rotor of claim 37, further including an electrically conductive track on the interior of the blade and a sliding contact connecting the first set of extensions to the conductive track.

44. The wind turbine of claim 1, wherein the first set of extensions is deployed from the first set of blades by a spring-loaded switchblade-style deployment.

45. The wind turbine of claim 1, wherein the first set of extensions is inflatable.

46. The wind turbine of claim 1, wherein the first set of extensions is elastic.

47. A method, comprising:

nesting an aerofoil rotor blade extension within an aerofoil rotor blade for a wind turbine; and

allowing the extension to be extended from the blade to adjust blade diameter.

48. The method of claim 47, wherein the extension is extended partially.

49. The method of claim 47, further including:

nesting more than one aerofoil rotor blade extension within an aerofoil rotor blade for a wind turbine; and

allowing one or more of the extensions to be extended from the blade to adjust blade diameter.

50. The method of claim 47, wherein the extension is oriented towards a center hub.

51. The method of claim 47, wherein the extension is oriented away from a center hub.

52. The method of claim 47, further including retracting the extensions into the blades.

53. The method of claim 47, further including extending or retracting the extension based on wind speed.

54. The method of claim 47, further including extending or retracting the extension based on measured generator power produced by the wind turbine.

55. A system, comprising:

a wind turbine rotor comprising:

a center hub;

a first set of aerofoil rotor blades arranged around the center hub; and

a first set of aerofoil rotor blade extensions nested at least partially inside the first set of aerofoil rotor blades, the first set of extensions capable of extending less than or equal to the length of the first set of blades by protruding from the first set of blades; and

a generator.

56. The system of claim 55, wherein the extensions are extended from within the blades to increase the diameter of the rotor based upon power produced by the generator.

57. The system of claim 55, further including a pitch control to adjust the angle of the first set of blades of the wind turbine.

58. The system of claim 55, further including a cable winding system to expand and retract the first set of extensions from within a housing in each of the first set of blades.

59. The system of claim 58, wherein the first set of extensions expands due to inertial force.

**60.** The system of claim 55, further including a pneumatic system to expand and retract the first set of extensions from within a housing in each of the first set of blades.

**61.** The system of claim 55, further including a hydraulic system to expand and retract the first set of extensions from within a housing in each of the first set of blades.

**62.** The system of claim 55, further including a recirculating ball worm screw system to expand and retract the first

set of extensions from within a housing in each of the first set of blades.

**63.** The system of claim 55, further including a cable and pulley system to expand and retract the first set of extensions from within a housing in each of the first set of blades.

\* \* \* \* \*